



# Russell Hobbs

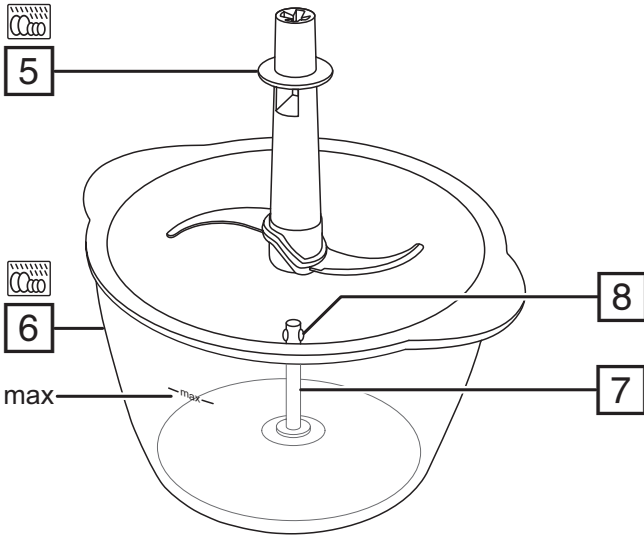
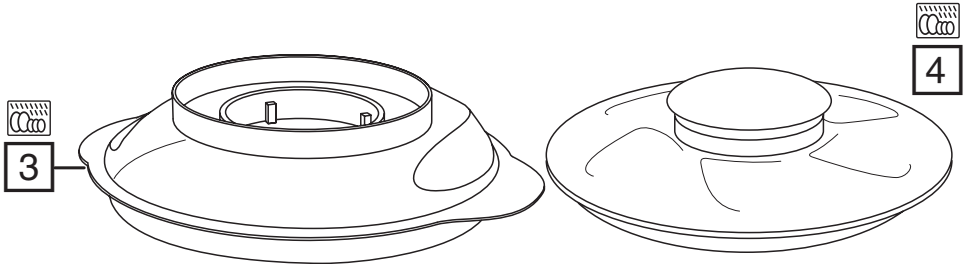
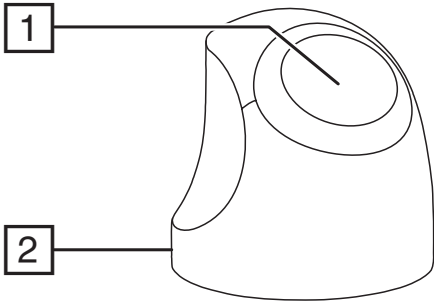


**24662**

 [www.russellhobbs.com](http://www.russellhobbs.com)

**Register online for an EXTRA year guarantee**

Visit [uk.russellhobbs.com/product-registration](http://uk.russellhobbs.com/product-registration) You must register within 28 days of purchase



Read the instructions, keep them safe, pass them on if you pass the appliance on. Remove all packaging before use.

---

## IMPORTANT SAFEGUARDS


Follow basic safety precautions, including:

This appliance can be used by persons with reduced physical, sensory or mental capabilities or lack of experience and knowledge if they have been supervised/instructed and understand the hazards involved.

Children must not use or play with the appliance.

Keep the appliance and cable out of reach of children.

To avoid injury, take care handling the blades, emptying the jug, and cleaning.


 Do not add hot liquid (over 40°C), as it may be ejected due to sudden steaming.

 Misuse of the appliance may cause injury.

Unplug the appliance before assembly, disassembly, or cleaning.

Don't leave the appliance unattended while plugged in.

If the cable is damaged, it must be replaced by the manufacturer, its service agent, or someone similarly qualified, to avoid hazard.

-  Do not use this appliance near bathtubs, showers, basins or other vessels containing water.
- Don't use the appliance for any purpose other than those described in these instructions.
  - Don't use the appliance if it's damaged or malfunctions.
  - Don't run the motor for more than 1 minute, or it may overheat. After 1 minute, switch off for at least 3 minutes, to let the motor cool.

## HOUSEHOLD USE ONLY

---

### PARTS

- |                   |               |
|-------------------|---------------|
| 1. Switch         | 5. Blade unit |
| 2. Motor unit     | 6. Bowl       |
| 3. Processing lid | 7. Spindle    |
| 4. Storage lid    | 8. Flanges    |

---

## USING

- Don't try to chip ice, don't try to chop raw meat, and take great care with the blades.
  - Don't fill above **max**.
  - Don't process hard foods – i.e. anything you can't cut easily with a kitchen knife.
  - Don't chop big bits – maximum 18mm cubes.
1. Unplug the appliance.
  2. Lift the motor unit off the bowl. Lift the processing lid off the bowl.
  3. Lower the blade unit over the spindle in the bottom of the bowl. You may have to turn it slightly, to fit over the flanges on the spindle. It's spring-loaded, so you'll feel some resistance as you push it down.
  4. Put the food in the bowl.
  5. Align the central hole in the processing lid with the top of the blade unit, and lower the lid on to the bowl.
  6. Lower the motor unit on to the processing lid. You may have to turn it slightly, to engage the top of the blade unit.
  7. Put the plug into the power socket.
  8. Press the switch to start the motor, release it to switch off.
  9. It's best to run the motor in bursts of a few seconds at a time, and inspect the results between bursts.

---


## AFTER USE

1. Unplug the appliance.
2. Lift the motor unit off the bowl. Lift the processing lid off the bowl.
3. Put a finger on top of the blade unit, to stop it falling out.
4. Tip the processed contents out of the bowl.
5. Alternatively, hold the plastic part of the blade unit, turn it to free it from the spindle flanges, and lift it straight up and out of the bowl.
6. Fit the storage lid to the bowl.

---

## CARE AND MAINTENANCE

1. Unplug the appliance.
2. Wipe the outside of the motor unit with a clean damp cloth.
3. Clean the inside of the blade unit with a toothpick.
4. Hand wash the removable parts.

 You may wash these parts in a dishwasher, but the harsh environment inside the dishwasher will affect the surface finishes. The damage should be cosmetic only, and should not affect the operation of the appliance.

---

## RECIPE

### MANGO LASSI

- 200ml natural yogurt
  - 1 ripe mango
  - 200ml milk
  - 2 tsp honey
1. Stone, peel and roughly chop the mango.
  2. Process for 15-20 seconds.







---

## RECYCLING



To avoid environmental and health problems due to hazardous substances, appliances and rechargeable and non-rechargeable batteries marked with one of these symbols must not be disposed of with unsorted municipal waste. Always dispose of electrical and electronic products and, where applicable, rechargeable and non-rechargeable batteries, at an appropriate official recycling/collection point.

---

## SERVICE

If you ring Customer Service, please have the Model Number to hand, as we won't be able to help you without it. It's on the rating plate (usually underneath the product).

The product isn't user-serviceable. If it's not working, read the instructions, check the plug fuse and main fuse/circuit breaker. If it's still not working, consult your retailer.

If that doesn't solve the problem – ring Customer Service – they may be able to offer technical advice.

If they advise you to return the product to us, pack it carefully, include a note with your name, address, day phone number, and what's wrong. If under guarantee, say where and when purchased, and include proof of purchase (till receipt). Send it to:

Customer Service

Spectrum Brands (UK) Ltd

Fir Street, Failsworth, Manchester M35 0HS

email: [support@russellhobbs.com](mailto:support@russellhobbs.com)

telephone: 0345 658 9700 (local rate number)

Please note: If you have purchased the product within the last 6 months, please contact the retailer in the first instance to deal with any matters relating to warranty.

---

## GUARANTEE

Defects affecting product functionality appearing within the guarantee period will be corrected by replacement or repair at our option provided the product is used and maintained in accordance with the instructions. Your statutory rights are not affected.

Guarantee period = 2 years from first retail purchase.

To claim an extra 1 year guarantee, register your product online within 28 days of purchase.

Register at: [uk.russellhobbs.com/product-registration](http://uk.russellhobbs.com/product-registration)

Consumables are guaranteed only for their recommended lifecycle. Replacement/Spare parts\* are excluded and are only covered by a 1 year warranty.

\* Examples include filters, removable grill plates, drip trays/crumb trays etc.

---

## ONLINE

[www.russellhobbs.com](http://www.russellhobbs.com) for more products