



Russell Hobbs

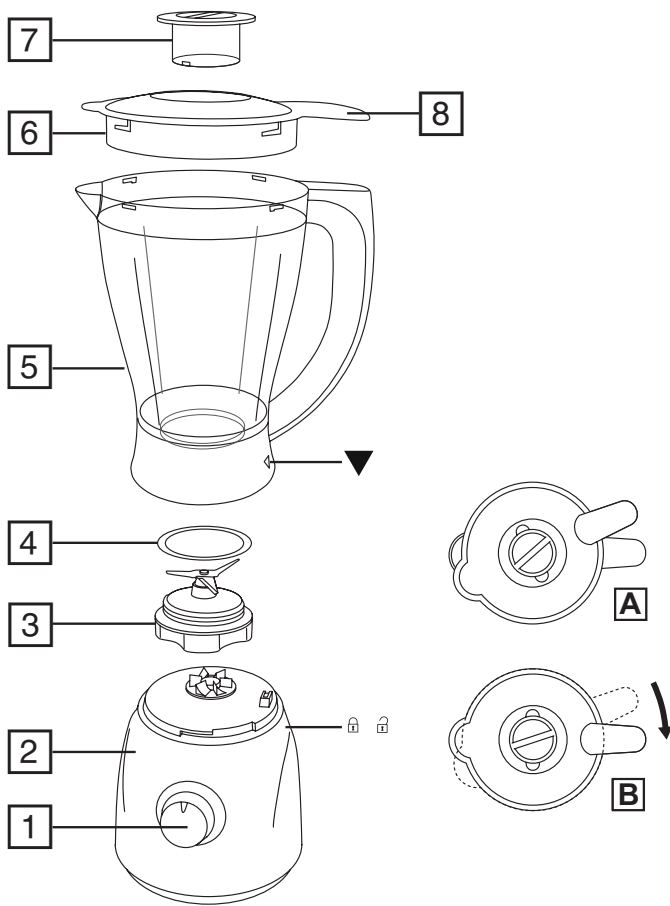


25960

 www.russellhobbs.com

Register online for an EXTRA year guarantee

Visit uk.russellhobbs.com/product-registration You must register within 28 days of purchase





Read the instructions, keep them safe, pass them on if you pass the appliance on.
Remove all packaging before use.

IMPORTANT SAFEGUARDS

Follow basic safety precautions, including:

This appliance can be used by persons with reduced physical, sensory or mental capabilities or lack of experience and knowledge if they have been supervised/instructed and understand the hazards involved.

Children must not use or play with the appliance.

Keep the appliance and cable out of reach of children.

⚠ To avoid injury, take care when handling the blades, emptying the jug, and cleaning.

⚠ Don't add hot liquid (over 40°C) as it may be ejected due to sudden steaming.

⚠ Misuse of the appliance may cause injury.

Unplug the appliance before assembly, disassembly, or cleaning.

Don't leave the appliance unattended while plugged in.

If the cable is damaged, it must be replaced by the manufacturer, its service agent, or someone similarly qualified to avoid a hazard.

- ⊗ Do not use this appliance near bathtubs, showers, basins or other vessels containing water.
- Switch off before fitting the jug to the motor unit.
- Switch off and wait till the blades come to a stop before removing the lid from the jug, or removing the jug from the motor unit.
- Don't put utensils into the jug while the appliance is plugged in.
- Don't use accessories or attachments other than those we supply.
- Don't use the appliance for any purpose other than those described in these instructions.
- Don't operate the appliance if it's damaged or malfunctions.

HOUSEHOLD USE ONLY





PARTS

- | | |
|------------------|--------|
| 1. Speed control | 5. Jug |
| 2. Motor unit | 6. Lid |
| 3. Blade unit | 7. Cap |
| 4. Seal | 8. Tab |

PREPARATION

1. Sit the motor unit on a stable, level surface.
2. Align the ▼ on the bottom of the jug with the □ on the motor unit.
3. Lower the jug on to the motor unit, then turn the jug to align the ▼ with the □.
4. Turn the lid anti-clockwise to unlock it then lift it off the jug.
5. Put the ingredients into the jug.
6. Don't fill past the 1500ml mark. If you do, the contents may force the lid off when you start the motor.
7. Place the lid onto the jug with the tab as shown in figure A.
8. Twist the lid clockwise to lock it (fig. B)
9. Push the cap into the hole in the lid.
10. Don't run the appliance without fitting the cap.
11. Check that the speed control is set to 0.
12. Put the plug into the power socket.


USING YOUR BLENDER

- Don't run the motor continuously for more than 3 minutes because it may overheat. After 3 minutes switch off for at least 10 minutes to allow the motor to cool.
 - Your blender will stop operating if it overheats. If this happens, unplug your blender and let it cool down for at least 15 minutes before using it again.
1. Turn the speed control to the speed you want (1 = low, 2 = high).
 2. Turn the speed control back to 0 to turn the motor off.
 3. Generally, large quantities, thick mixes, and a high ratio of solids to liquids suggest longer timings and slower speeds.
 4. Smaller quantities, thinner mixes, and more liquids than solids suggest shorter timings and higher speeds.
 5. Don't run the motor for more than 1 minute, or it may overheat. After 1 minute, switch off for at least 2 minutes, to let the motor cool.





PULSE

Turning the speed control anti-clockwise to  will give you a short burst at high speed. In this direction, the knob is spring-loaded. When you let go, it'll return to **0**.

ADDING INGREDIENTS

To add ingredients while the blender is working, remove the cap, pour the new ingredients through the hole, then replace the cap.

Check that the added ingredients don't increase the volume in the jug past the 1500ml mark.

CARE AND MAINTENANCE

1. Switch the appliance off (**0**) and unplug it.
2. Wipe the outside of the motor unit with a clean damp cloth.
3. Wash the removable parts in warm soapy water, rinse well, drain, and air dry.
4. Don't put any part of the appliance in a dishwasher.

BLADE UNIT

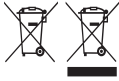
You may remove the blade unit for cleaning. This is best done with the jug turned upside down.

1. Grip the jug handle with one hand.
2. Grip the bottom of the blade unit with the other hand.
3. Turn the blade unit clockwise till it comes loose from the jug base.
4. Carefully, pull it up and out of the bottom of the jug.
5. Lift the seal away from the blade unit.
6. Wash the seal and blade unit in warm soapy water, rinse, and air dry.
7. Take great care with the blades – don't handle them directly, use a nylon washing-up brush.
8. Replace the seal round the blade unit.
9. Replace the blade unit in the jug base.
10. Turn the blade unit anti-clockwise to tighten it.





RECYCLING



To avoid environmental and health problems due to hazardous substances, appliances and rechargeable and non-rechargeable batteries marked with one of these symbols must not be disposed of with unsorted municipal waste. Always dispose of electrical and electronic products and, where applicable, rechargeable and non-rechargeable batteries, at an appropriate official recycling/collection point.







SERVICE

If you ring Customer Service, please have the Model Number to hand, as we won't be able to help you without it. It's on the rating plate (usually underneath the product). The product isn't user-serviceable. If it's not working, read the instructions, check the plug fuse and main fuse/circuit breaker. If it's still not working, consult your retailer. If that doesn't solve the problem – ring Customer Service – they may be able to offer technical advice.

If they advise you to return the product to us, pack it carefully, include a note with your name, address, day phone number, and what's wrong. If under guarantee, say where and when purchased, and include proof of purchase (till receipt). Send it to: Customer Service

Spectrum Brands (UK) Ltd
Fir Street, Failsworth, Manchester M35 0HS
email: support@russellhobbs.com
telephone: 0345 658 9700 (local rate number)

Please note: If you have purchased the product within the last 6 months, please contact the retailer in the first instance to deal with any matters relating to warranty.

GUARANTEE

Defects affecting product functionality appearing within the guarantee period will be corrected by replacement or repair at our option provided the product is used and maintained in accordance with the instructions. Your statutory rights are not affected.

Guarantee period = 2 years from first retail purchase.

To claim an extra 1 year guarantee, register your product online within 28 days of purchase. Register at: **uk.russellhobbs.com/product-registration**

Consumables are guaranteed only for their recommended lifecycle. Replacement/ Spare parts* are excluded and are only covered by a 1 year warranty.

* Examples include filters, removable grill plates, drip trays/crumb trays etc.

ONLINE

www.russellhobbs.com for more products

T22-9001371

