



Russell Hobbs



MICROWAVE OVEN

RHMO300

RHMO300_IB_FA_081215
Part No. T22-5002825

INSTRUCTIONS & WARRANTY

Spectrum Brands Australia Pty Ltd

Locked Bag 3004 Braeside
Victoria 3195 Australia

Customer Service in Australia

TollFree: 1800 623 118

Email: info@spectrumbrands.com.au

Website: www.spectrumbrands.com.au

Spectrum Brands New Zealand Ltd

PO Box 9817 Newmarket
Auckland 1149 New Zealand

Customer Service in New Zealand

TollFree: 0800 736 776

Email: service@spectrumbrands.co.nz

Website: www.spectrumbrands.co.nz

**Spectrum Brands Australia Pty Ltd and Spectrum Brands New Zealand Ltd
Warranty Against Defects**

In this warranty:

Australian Consumer Law means the Australian consumer law set out in Schedule 2 to the Competition and Consumer Act 2010;

CGA means the New Zealand Consumer Guarantees Act 1993;

Goods means the product or equipment which was accompanied by this warranty and purchased in Australia or New Zealand, as the case may be;

Manufacturer, We or **us** means:

1. for Goods purchased in Australia, Spectrum Brands Australia Pty Ltd ABN, 78 007 070 573;
or
2. for Goods purchased in New Zealand, Spectrum Brands New Zealand Ltd, as the case may be, contact details as set out at the end of this warranty;

Supplier means the authorised distributor or retailer of the Goods that sold you the Goods in Australia or in New Zealand; and

You means you, the original end-user purchaser of the Goods.

1. Our goods come with guarantees that cannot be excluded under the Australian Consumer Law, or the CGA. You are entitled to a replacement or refund for a major failure and compensation for any other reasonably foreseeable loss or damage. You are also entitled to have the goods repaired or replaced if the goods fail to be of acceptable quality and the failure does not amount to a major failure.
2. The benefits provided by this Warranty are in addition to all other rights and remedies in respect of the Goods which the consumer has under either the Australian Consumer Law or the CGA. The original purchaser of the Goods is provided with the following Warranty subject to the Warranty Conditions:
3. We warrant the Goods for all parts defective in workmanship or materials for a period of 1 year from the date of purchase (**Warranty Period**).

If the Goods prove defective within the Warranty Period by reason of improper workmanship or material, we may, at our own discretion, repair or replace the Goods without charge.

Warranty Conditions

4. The Goods must be used in accordance with the manufacturer's instructions. This Warranty does not apply should the defect in or failure of the Goods be attributable to misuse, abuse, accident or non-observance of manufacturer's instructions on the part of the user. As far as the law permits, the manufacturer does not accept liability for any direct or consequential loss, damage or other expense caused by or arising out of any failure to use the Goods in accordance with the manufacturer's instructions.
5. Exhaustible components (such as batteries, filters and brushes) of the Goods are included under this Warranty only where there is a defect in workmanship or materials used.
6. The warranty granted under clause 3 is limited to repair or replacement only.
7. Any parts of the Goods replaced during repairs or any product replaced remain the property of the manufacturer. In the event of the Goods being replaced during the Warranty Period, the warranty on the replacement Goods will expire on the same date as for the Warranty Period on the original Goods which are replaced.
8. In order to claim under the warranty granted under clause 3 you must:
 - (a) Retain this warranty with your receipt/proof of purchase; and
 - (b) Return the Goods to us at the relevant address or to the Supplier by prepaid freight within the Warranty Period accompanied with (i) the legible and unmodified original proof of purchase, which clearly indicates the name and address of the Supplier, the date and place of purchase, the product name or other product serial number and (ii) this warranty.
9. This warranty is immediately void if:
 - (a) Any serial number or appliance plate is removed or defaced;
 - (b) The Goods have been serviced or otherwise repaired by a person not authorised to do so by us or where non approved replaced parts are used.
10. The Goods are designed for domestic use only. The Goods must be connected to the electrical voltage requirements as specified in the ratings label located on the Goods.
11. This warranty does not cover the cost of claiming under the warranty or transport of the Goods to and from the Supplier or us.
12. This warranty is only valid and enforceable in Australia against Spectrum Brands Australia Pty Ltd and in New Zealand against Spectrum Brands New Zealand Ltd.

Contact us or the Supplier for further details.

Register your product online

If you live in Australia please visit: www.spectrumbrands.com.au/warranty

If you live in New Zealand Please visit: www.spectrumbrands.co.nz/warranty

Registration of your warranty is not compulsory, it gives us a record of your purchase AND entitles you to receive these benefits: Product information; Hints and tips; Recipes and news; Information on special price offers and promotions.

Any questions? Please contact Customer Service for advice.

IMPORTANT SAFETY INSTRUCTIONS
READ CAREFULLY AND KEEP FOR FUTURE REFERENCE

PRECAUTIONS TO AVOID POSSIBLE EXPOSURE TO EXCESSIVE MICROWAVE ENERGY

- (a) Do not attempt to operate this oven with the door open as this can result in harmful exposure to microwave energy. The door is fitted with safety interlock switches that prevent the microwave oven from operating with the door open.

DO NOT tamper with or attempt to override the safety interlocks.

- (b) Do not place any object between the microwave oven front face and the door, or allow food or cleaner residues to accumulate on sealing surfaces.

WARNING

- a) **Do not operate the microwave oven if it is damaged in any way.**
It is particularly important that the oven door closes properly and that there is no damage to the:
 - 1) **DOOR (bent)**
 - 2) **HINGES AND LATCHES (broken or loosened)**
 - 3) **DOOR SEALS AND SEALING SURFACE**
- b) **The oven shall not be adjusted or repaired by anyone except properly qualified service personnel.**
It is hazardous for anyone other than a competent person to carry out any service or repair operation that involves the removal of a cover which gives protection against exposure to microwave energy.
- c) **Liquids and other foods must not be heated in sealed containers as they are liable to explode.**

IF MATERIALS INSIDE THE OVEN IGNITE:

1. Keep the oven door closed to contain and stifle any flames.
2. Turn the oven off and remove the plug from the wall power outlet.

Please ensure cooking times are correctly set as over cooking may result in the FOOD catching fire and subsequent damage to your oven.

Read these instructions before using your microwave oven. Keep this booklet in a safe place for future reference. When using electrical appliances, basic safety precautions should always be followed. For additional safety information, please refer to the "Important Safeguards" section.

GENERAL USE

MICROWAVE SAFE CONTAINERS / UTENSILS

CAUTION: Personal Injury Hazard

Tightly-closed containers can explode. Closed containers must be opened and plastic pouches must be pierced before cooking.

To test a container / utensil for safe microwave oven use:

Add 1 cup of cool water to a heat resistant glass jug and place it in the microwave oven alongside

the empty container/utensil to be tested; heat for one (1) minute at maximum power. If the container/utensil you are testing is microwave oven safe (transparent to microwave energy) it should remain comfortably cool, the water in the glass jug should be hot. If the container/utensil being tested is hot, it has absorbed some microwave energy and should NOT be used. This test is not applicable for plastic items.

MATERIALS YOU CAN USE IN THIS MICROWAVE OVEN

NOTE: Always try to use items labeled as microwave safe to minimise any uncertainty.

Aluminum foil

Shielding only. Small smooth pieces can be used to cover thin parts of meat or poultry to prevent overcooking. Sparks can occur if foil is too close to oven walls. The foil must be at least 1 inch (2.5cm) away from oven walls.

Browning dish

Follow browning dish manufacturer's instructions. The bottom of the browning dish must be at least 5mm above the turntable.

NOTE: An overly hot browning dish sitting directly on the glass turntable could cause the turntable to break!

Dinnerware

Microwave-safe only. Follow manufacturer's instructions. Do not use cracked or chipped dishes.

Glassware

Heat-resistant oven glassware only. Make sure there is no metallic trim. Do not use cracked or chipped dishes. Confirm glassware is heat-resistant before using in the microwave.

Oven cooking bags

Follow manufacturer's instructions. Do not close with metal tie. Make slits to allow steam to escape.

Paper plates and cups

Use for short-term cooking/warming only. Do not leave oven unattended while cooking. Do not place waxed or recycled paper items in the microwave.

Paper towels

Use to cover food for reheating and absorbing fat. For short-term cooking only. Do not leave unattended while cooking.

Parchment paper

Use as a cover to prevent splattering or a wrap for steaming.

Plastic

Microwave-safe only. Follow the manufacturer's instructions. Should be labeled "Microwave Safe". Some plastic containers soften as the food inside gets hot. "Boiling bags" and tightly closed plastic bags should be slit, pierced or vented as directed by package.

Plastic wrap

Microwave-safe only. Use to cover food during cooking to retain moisture.

Thermometers

Microwave-safe only (meat and candy thermometers).

MATERIALS TO BE AVOIDED IN MICROWAVE OVEN.

Aluminum tray

May cause arcing. Transfer food into microwave-safe dish.

Food carton with metal handle

May cause arcing. Transfer food into microwave-safe dish.

Metal or metal trimmed utensils

Metal shields the food from microwave energy. Metal trim may cause arcing.

Metal twist ties

May cause arcing and could cause a fire in the oven.

Paper bags

May cause a fire in the oven.

Recycled paper products

Unless the paper product is labelled as microwave safe. Recycled paper products may contain impurities which may result in sparks and/or fires when used.

Plastic foam

Plastic foam may melt or contaminate the liquid inside when exposed to high temperatures.

Wood

Wood will dry out when used in the microwave oven and may split or crack.

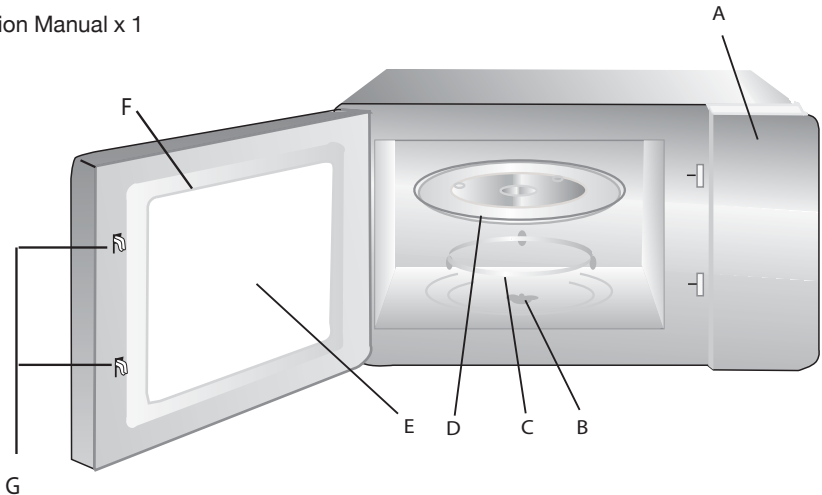
Ceramic

Do not use ceramic containers which have metallic inlays.

SETTING UP YOUR OVEN**NAMES OF OVEN PARTS AND ACCESSORIES**

Remove the oven and all materials from the carton and oven cavity. Your oven comes with the following accessories:

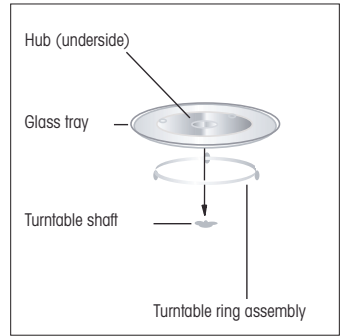
- Glass tray x 1
- Turntable ring assembly x 1
- Instruction Manual x 1



- | | | |
|----------------------------|-----------------------|----------------------------|
| A. Control panel | D. Glass tray | G. Safety interlock system |
| B. Turntable shaft | E. Observation window | |
| C. Turntable ring assembly | F. Door assembly | |

TURNTABLE INSTALLATION

- a. Never place the glass tray upside down. The glass tray should never be restricted.
- b. Both glass tray and turntable ring assembly must always be used during cooking.
- c. All food and containers of food are always placed on the glass tray for cooking.
- d. If the glass tray or turntable ring assembly cracks or breaks, contact Customer Service.



COUNTERTOP INSTALLATION

Remove all packing material and accessories. Examine the oven for any damage such as dents or broken door. Do not install if oven is damaged.

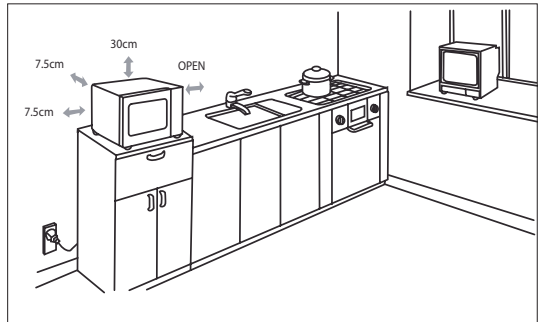
Cabinet: Remove any protective film found on the microwave oven cabinet surface. Do not remove the light brown Mica cover that is attached to the oven cavity to protect the magnetron.

INSTALLATION

1. Select a level surface that provides enough open space for the intake and/or outlet vents.

A minimum clearance of 7.5cm is required between the oven and any adjacent walls. One side must be open.

- (1) Leave a minimum clearance of 30cm above the oven.
 - (2) Do not remove the legs from the bottom of the oven.
 - (3) Blocking the intake and/or outlet openings can damage the oven.
 - (4) Place the oven as far away from radios and TV as possible. Operation of microwave oven may cause interference to your radio or TV reception.
2. Plug your oven into a standard household outlet. Be sure the voltage and the frequency is the same as the voltage and the frequency on the rating label.

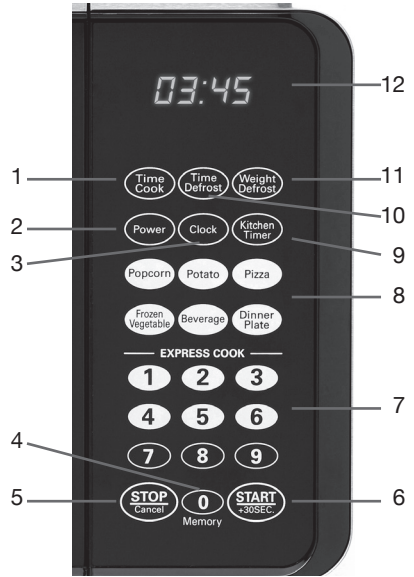


WARNING: Do not install oven over a range cooktop or other heat-producing appliance. If installed near or over a heat source, the oven could be damaged and the warranty would be void. The oven is designed for benchtop use only and must not be placed in a cabinet.

OPERATION

CONTROL PANEL AND FEATURES

- | | |
|--|--------------------|
| 1. Time Cook | 6. Start/+30Sec |
| 2. Power | 7. Number Keys |
| 3. Clock | 8. Auto Menus |
| 4. Memory | 9. Kitchen Timer |
| 5. Stop/Cancel: clears all previous settings pressed before cooking starts. During cooking: press once to stop oven; twice to stop and clear all entries | 10. Time Defrost |
| | 11. Weight Defrost |
| | 12. Display Window |



POWER LEVEL

Ten power levels are available

Level	10	9	8	7	6	5	4	3	2	1
Power	100%	90%	80%	70%	60%	50%	40%	30%	20%	10%
Display	PL10	PL9	PL8	PL7	PL6	PL5	PL4	PL3	PL2	PL1

CLOCK SETTING

When the microwave oven is plugged into an outlet, the oven will display “0:00”

- 1) Press “CLOCK”. “00:00” will display with the left-most digit flashing.
- 2) Using the number keys, enter the correct time. For example, time is 3:12, press “0,3,1,2” in turn.

Note: The clock displays in 12 hour mode. Only times within the range 1:00-12:59 can be input.

- 3) Press “CLOCK” to confirm the time and exit Clock Setting mode.

Note: If the “STOP/CANCEL” button is pressed or if there is no operation within 1 minute, the oven will automatically return to its former state.

KITCHEN TIMER

- 1) Press "KITCHEN TIMER", LED will display "00:00" and flash.
- 2) Using the number keys, enter the required time (the maximum time is 99 minutes and 99 seconds).
- 3) Press "START/+30SEC" to confirm setting.
- 4) When the set time has elapsed, 5 beeps will sound.

Note: The Kitchen Timer is a timer only and does not control any cooking functions. If the microwave is in use the kitchen timer will not work. If you use the microwave when the kitchen timer is set it will cancel the timer function.

MICROWAVE COOKING

- 1) Press "TIME COOK", LED will display "00:00".
- 2) Press the number keys to input the cooking time; the maximum cooking time is 99 minutes and 99 seconds.

Note: The default power is "PL10", 100% power. If you want to change the power level press "POWER", the LED will display "PL10". Press the number keys to adjust the power level.

- 3) Press "START/+30SEC" to start cooking.

Note: In the process of cooking, if the "STOP/CANCEL" button is pressed or if there is no operation within 1 minute, the oven will go back to the former state automatically.

EXPRESS COOK

- 1) Instant cooking at 100% power level can be started by selecting a cooking time from 1 to 6 minutes simply by pressing number pads 1 to 6.
Pressing the "START/+30SEC" button increases the cooking time in 30 second increments - the maximum cooking time is 99 minutes and 99 seconds.

Or

- 2) Instant cooking at 100% power level with 30 seconds cooking time can be started by pressing the "START/+30SEC" button. Each additional press on the same button will increase the cooking time by 30 seconds. The maximum cooking time is 99 minutes and 99 seconds.

Note: Each press of the "START/+30SEC" button increases the cooking time by 30 seconds for microwave cooking, auto menu cooking and defrost by time mode. The function is not available during weight defrost.

DEFROST BY WEIGHT FUNCTION

- 1) Press "WEIGHT DEFROST", LED will display "dEF1".
- 2) Press the number keys to input weight to be defrosted. Input the weight ranged between 100~2000g.
- 3) If the weight input is not within 100~2000g, the input will be invalid. A "beep" will be heard and the microwave will not work until valid numbers are input.
- 4) Press "START/+30SEC" to start defrosting and the remaining cooking time will be displayed.

TIME DEFROST FUNCTION

- 1) Press "TIME DEFROST", LED will display "dEF2".
- 2) Press number pads to input defrosting time. The effective time range is 00:01~99:99
- 3) If the time input is not within 00:01~99:99, a "beep" will be heard and the microwave will not work until valid numbers are input.
- 4) The default microwave power is power level 3. If you want to change the power level press "POWER", the LED will display "PL3". Press the number keys to adjust the power level.
- 5) Press "START/+30SEC" to start defrosting. The cooling time remaining will be displayed.

POPCORN

- a) Press "POPCORN" repeatedly until the number you wish appears in the display
For example, press "POPCORN" once "50" appears in the display.
- b) Press "START/+30SEC" to cook

Times (press "POPCORN")	Weight	Display	Time
Once	50 g	50	2 min 30 secs
Twice	100 g	100	3 mins 30 secs

POTATO

- a) Press "POTATO" repeatedly until the number you wish appears in the display
"1" = 1 potato (approximate 230 grams)
"2" = 2 potatoes (approximate 460 grams)
"3" = 3 potatoes (approximate 690 grams)
For example, press "POTATO" once "1" appears in the display.
- b) Press "START/+30SEC" to cook.

Times (press "POTATO")	Weight	Display	Time
Once	230 g	1	5 mins
Twice	460 g	2	7 mins 30 secs
Thrice	690 g	3	10 mins

PIZZA

a) Press “PIZZA” repeatedly until the number you wish appears in the display.

For example, press “PIZZA” twice “200” appears in the display.

b) Press “START/+30SEC” to cook.

Times (press “PIZZA”)	Weight	Display	Time
Once	100 g (1 slice)	100	40 secs
Twice	200 g (2 slices)	200	1 min 20 secs
Thrice	400 g (4 slices)	400	2 mins 40 secs

FROZEN VEGETABLE

a) Press “FROZEN VEGETABLE” repeatedly until the number you wish appears in the display.

For example, press “FROZEN VEGETABLE” twice “350” appears in the display.

b) Press “START/+30SEC” to cook.

Times (press “FROZEN VEGETABLE”)	Weight	Display	Time
Once	150 g	150	3 mins
Twice	350 g	350	7 mins
Thrice	500 g	500	9 mins

BEVERAGE

a) Press “BEVERAGE” repeatedly until the number you wish appears in the display.

You can reheat 1~3 cups of beverage each time (approx 250 g).

For example, press “BEVERAGE” twice “2” appears in the display.

b) Press “START/+30SEC” to cook.

Times (press “BEVERAGE”)	Weight	Display	Time
Once	250 g	1	1 min 20 secs
Twice	500 g	2	2 mins
Thrice	750 g	3	2 mins 50 secs

DINNER PLATE

a) Press “DINNER PLATE” repeatedly until the number you wish appears in the display.

For example, press “DINNER PLATE” twice “350” appears in the display.

b) Press “START/+30SEC” to cook.

Times (press “DINNER PLATE”)	Weight	Display	Time
Once	250 g	250	2 mins 30 secs
Twice	350 g	350	3 mins 30 secs
Thrice	500 g	500	4 mins 30 secs

MULTI-SECTION COOKING

At maximum, two sections can be set for multi-section cooking. In multi-section cooking, if one section is weight defrosting, then weight defrosting shall be placed in the first section. When the first stage finishes, a beep will be heard and the next stage will begin cooking.

Note: Auto cooking does not work in the multi-stage cooking.

Example: If you want to cook with 80% microwave power for 5 minutes + 60% microwave power for 10 minutes. The cooking steps are as following:

- 1) Press "TIME COOK" once, then press "5","0","0" to set the cooking time.
- 2) Press "POWER" once, then press "8" to select 80% microwave power.
- 3) Press "TIME COOK" once, then press "1","0","0","0" to set the cooking time.
- 4) Press "POWER" once, then press "6" to select 60% microwave power.
- 5) Press "START/+30 SEC" to start cooking.

MEMORY FUNCTION

You can programme up to 3 memory settings in the RHMO300 Family Microwave.

To set memory 1, press "0/MEMORY". The LED will display 1.

To set memory 2, press "0/MEMORY" twice. The LED will display 2.

To set memory 3, press "0/MEMORY" three times. The LED will display 3.

Example: set the following procedure as memory 1, with 80% microwave power for 3 minutes and 20 seconds.

- 1) Press "0/MEMORY". The LED will display 1.
- 2) Press "TIME COOK", then press "3","2","0" in order. This represents 3 minutes and 20 seconds.
- 3) Press "POWER". PL10 will display, then press 8 and PL8 will display. This represents Power Level 8, or 80%.
- 4) Press "START/+30 SEC" to save the setting. If you press "START/+30SEC" again, the memory function 1 will commence.

Note: If the electricity is cut off, the procedure will need to be reset by following the above steps.

INQUIRING FUNCTION

- 1) In the cooking state, press "CLOCK", the LED will display the clock for three seconds.
- 2) In the cooking state, press "POWER" to inquire about the power level, and the current microwave power level will be displayed. After three seconds, the oven will turn back to the previous state. In multi-stage state, the inquiring way can be done by the same way as above.

LOCK FUNCTION FOR CHILDREN

Lock: In waiting state, press "STOP/CANCEL" for 3 seconds, there will be a long "beep" denoting the entering of the children-lock state; meanwhile the LED will display " [_ _ _] "

Unlock: In locked state, press "STOP/CANCEL" for 3 seconds, there will be a long "beep" denoting that lock is released.

COOKING COMPLETE FUNCTION

When the cooking is complete, 5 beeps will sound to remind the user the cooking is finished.

OTHER SPECIFICATIONS

- 1) In waiting state, if the LED displays current time, the icon " : " would flash, otherwise it shows "0:00".
- 2) In setting function state, the LED displays corresponding setting.
- 3) In working or pause state, the LED displays remaining cooking time.

TROUBLE SHOOTING

Check your problem by using the chart below and try the solutions for each problem. If the microwave oven still does not work properly, contact Customer Service.

TROUBLE	POSSIBLE CAUSE	POSSIBLE REMEDY
Oven will not start	<ul style="list-style-type: none"> a. Electrical cord for oven is not plugged in. b. Door is open. c. Wrong operation is set. 	<ul style="list-style-type: none"> a. Plug into the outlet. b. Close the door and try again. c. Check instructions.
Sparking	<ul style="list-style-type: none"> a. Materials to be avoided in microwave oven were used. b. The oven is operated when empty. c. Spilled food remains in the cavity. 	<ul style="list-style-type: none"> a. Use microwave-safe cookware only. b. Do not operate with oven empty. c. Clean cavity with wet towel.
Unevenly cooked foods	<ul style="list-style-type: none"> a. Materials to be avoided in microwave oven were used. b. Food is not defrosted completely. c. Cooking time, power level is not suitable. d. Food is not turned or stirred. 	<ul style="list-style-type: none"> a. Use microwave-safe cookware only. b. Completely defrost food. c. Use correct cooking time, power level. d. Turn or stir food.
Overcooked foods	Cooking time, power level is not suitable.	Use correct cooking time, power level.
Undercooked foods	<ul style="list-style-type: none"> a. Materials to be avoided in microwave oven were used. b. Food is not defrosted completely. c. Oven ventilation ports are restricted. d. Cooking time, power level is not suitable. 	<ul style="list-style-type: none"> a. Use microwave-safe cookware only. b. Completely defrost food. c. Check to see that oven ventilation ports are not restricted. d. Use correct cooking time, power level.
Improper defrosting	<ul style="list-style-type: none"> a. Materials to be avoided in microwave oven were used. b. Cooking time, power level is not suitable. c. Food is not turned or stirred. 	<ul style="list-style-type: none"> a. Use microwave-safe cookware only. b. Use correct cooking time, power level. c. Turn or stir food.

IMPORTANT SAFEGUARDS

General Safeguards

1. To protect against electrical hazards do not immerse the power cord, plug, or microwave oven in water or any other liquid.
2. This appliance is not intended for use by persons (including children) with reduced physical, sensory or mental capabilities, or lack of experience and knowledge, unless they have been given supervision or instruction concerning use of the appliance by a person responsible for their safety.
3. This appliance is not a toy. Children should be supervised to ensure they do not play with the appliance.
4. Do not operate this appliance with a damaged cord/plug or after the appliance has malfunctioned, has been dropped or damaged in any manner.
5. There are no user serviceable parts. If the power cord or appliance is damaged, it must be replaced/repaired by a qualified person in order to avoid a hazard.
6. Utensils should be checked to ensure that they are suitable for use in microwave ovens. To check whether or not a utensil is suitable, please refer to the "Microwave Safe Containers/ Utensils" section.
7. Do not use corrosive chemicals or vapors in this appliance.
8. Do not use this microwave for commercial purposes. This microwave oven is made for household use only.
9. This oven is specifically designed to heat or cook food. It is not designed for industrial or laboratory use.
10. The microwave oven has several built-in safety switches to ensure that the power remains off when the door is open. Do not tamper with these switches.
11. Do not use the oven cavity for storage purposes. Do not store combustible items such as bread, cookies, paper products etc inside the oven.
12. Do not use the oven for the purpose of dehumidification. Do not dry clothes, newspapers or other materials in the microwave oven. They may catch on fire.
13. Do not heat warming pads, slippers, sponges, damp cloth or similar materials as it may lead to risk of injury, ignition or fire.
14. Do not store flammable materials next to, on top of, or in the oven. It could be a fire hazard.
15. Always turn off and unplug from the power outlet before cleaning the appliance.
16. Failure to maintain the oven in a clean condition could lead to deterioration that could adversely affect the life of the appliance and possibly result in a hazardous situation.
17. When cleaning door and oven surfaces, use only mild, non-abrasive soaps or detergents applied with a sponge or soft cloth. The heating of corrosive chemicals in this oven may create microwave radiation leaks.
18. To disconnect, set the switch on the wall power outlet to OFF, then grasp the plug and withdraw it from the wall socket.
19. Never pull by the cord.
20. Do not use appliance for other than its intended purpose as described in the Instruction Manual.
21. This appliance is not intended to be operated by means of an external timer or separate remote control system.
22. Do not leave the microwave oven unattended when in use.

Location of Oven

1. Install or locate this microwave oven only in accordance with the installation instructions provided.
2. Do not use in the bathroom or near any source of water.
3. Plug into a wall socket that is properly installed and grounded.
4. Do not use on an inclined plane or unstable surface.
5. Do not use the microwave oven near or below any curtains or other combustible materials.
6. The microwave oven shall not be placed in a cabinet.
7. Minimum height of free space necessary above the top surface of the oven is 300mm.
8. A minimum of 75mm is required between the oven and any adjacent walls. One side must be open.
9. Do not move the microwave oven while it is switched on.
10. Do not cover or block any vents on the oven.
11. Do not store or use this appliance outdoors.
12. Keep cord away from heated surfaces.
13. Do not cover the microwave oven when in use.
14. Keep the microwave oven and the power cord away from the edge of table or countertops and out of reach of children and infirm persons.
15. Do not place on or near any hot or damp surface.



Food

1. Do not overcook food.
2. The turntable and turntable ring assembly must be in the oven during cooking. Place the cookware gently on the turntable and handle it carefully to avoid possible breakage.
3. Do not operate the microwave oven unless there is food or liquid content inside. Operating the oven with no food or food that is extremely low in moisture can cause fire, charring or sparking.
4. Incorrect use of browning dish may cause the turntable to break.
5. Do not cook food directly on the turntable. Excessive local heating of the turntable may cause the turntable to break.
6. Do not use newspaper or paper bags for cooking.
7. Do not cook food wrapped in paper towels, unless your cook book contains instructions, for the food you are cooking.
8. Remove wire twist-ties and metal handles from paper or plastic containers / bags before placing them in the oven.
9. Do not attempt to deep fry in your microwave oven.
10. Do not attempt home canning in this microwave oven, as it is impossible to be sure all contents of the jar have reached boiling temperature.
11. Carefully attend the appliance when paper, plastic or other combustible materials are placed inside the oven to facilitate cooking. When heating food in plastic or paper containers, check the oven frequently due to the possibility of ignition.
12. Eggs in their shell and whole hard-boiled eggs should not be heated in microwave ovens since they may explode, even after microwave heating has ended.
13. Potatoes, apples, egg yolks, chicken wings, whole squash and sausages are examples of foods with non-porous skins. This type of food must be pierced before cooking to prevent bursting.


14. Scalding hazard! Liquids, such as water, coffee or tea are able to be overheated beyond the boiling point without appearing to be boiling. Visible bubbling or boiling when the containers is removed from the microwave oven is not always present. This could result in very hot liquids suddenly erupting when the container is disturbed or a spoon or other utensil is inserted into the liquid. Care must be taken when handling the container.
15. Stir liquids both before and halfway through heating for best results.
16. After heating, allow the container to stand in the microwave oven for a short time.
17. Use extreme care when inserting a spoon or other utensil into the container.
18. Liquids or other food must not be heated in narrow necked or sealed containers since they are liable to explode.
19. If smoke is observed, switch off and unplug the appliance and keep the door closed in order to stifle any flames.
20. The contents of feeding bottles and baby food jars are to be stirred or shaken and the temperature is to be checked before consumption, in order to avoid burns.
21. Always monitor when food is heated or cooked in disposable containers of plastic, paper or other combustible materials due to the possibility of ignition or of the food container deteriorating.
22. Always take care when removing food items as it is hot.
23. Do not attempt to cook items that are too large for the microwave oven.

SAVE THESE INSTRUCTIONS

THIS APPLIANCE IS INTENDED TO BE USED IN HOUSEHOLD AND SIMILAR APPLICATIONS SUCH AS:

- **STAFF KITCHEN AREAS IN SHOPS, OFFICES AND OTHER WORKING ENVIRONMENTS;**
- **FARM HOUSES;**
- **BY CLIENTS IN HOTELS, MOTELS AND OTHER RESIDENTIAL ENVIRONMENTS;**
 - **BED AND BREAKFAST TYPE ENVIRONMENTS.**

Only use accessories supplied with the microwave oven



www.russellhobbs.com.au
www.russellhobbs.co.nz